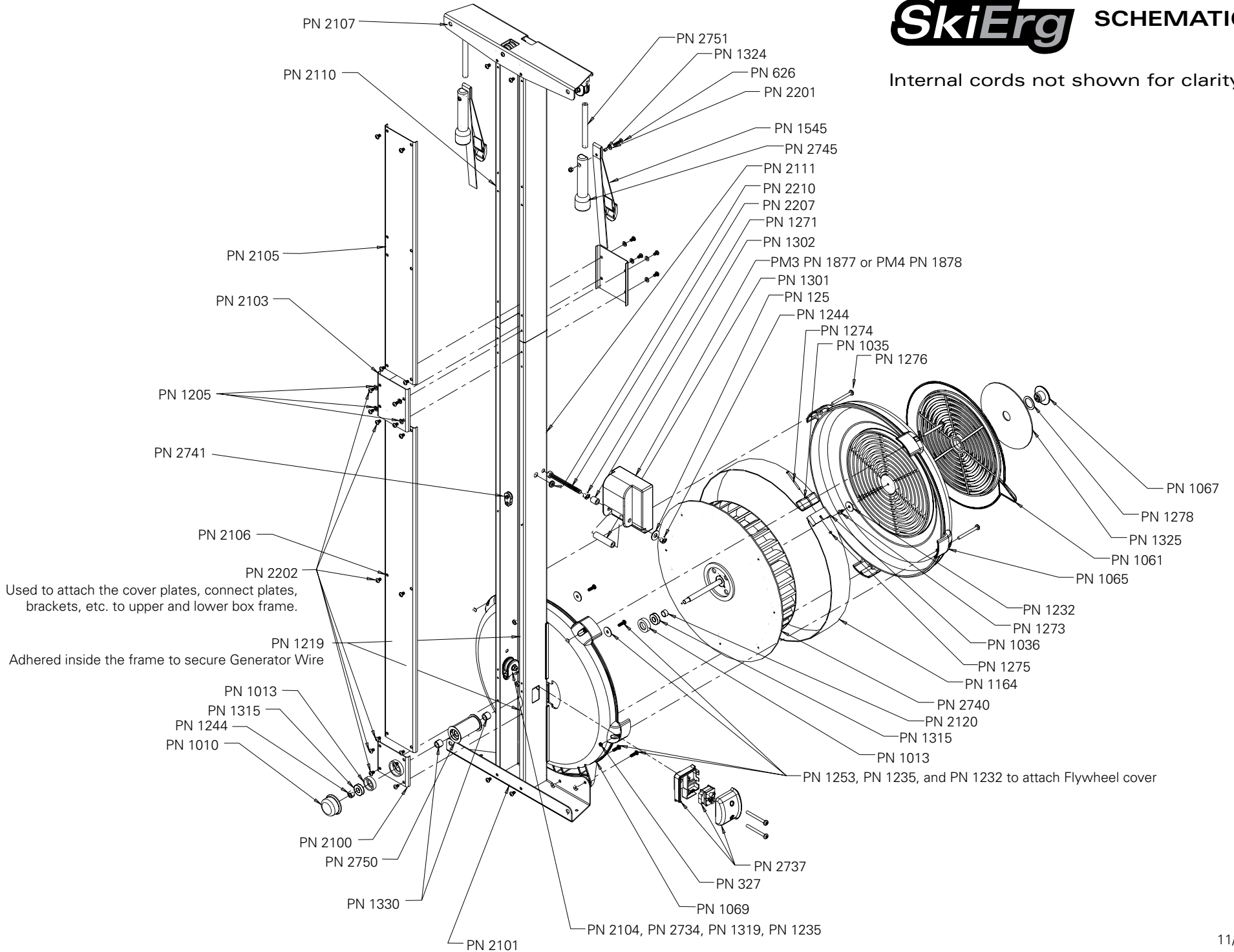


Internal cords not shown for clarity





PN	Description
125	Monitor Washer 3/8"
327	#10 Flywheel Cover Nut (4)
626	#10 SS Screw (2)
1010	Bearing Cover
1013	Rubber Bearing Cup (2)
1035	Perf Connector Screw Side
1036	Perf Connector Nut Side
1061	Damper
1065	Flywheel Cover - Front
1067	Damper Hub Cap
1069	Flywheel Cover - Back
1164	Outlet Perf
1205	1/4 Lock Washer
1219	J-Clips (3) adhered inside the frame to secure generator wire
1232	Fender Washer (3)
1235	1/4" Nylock Nut (5)
1244	Nylock Nut 3/8"
1253	1/4 x 5/8 Button Head (4)
1271	Monitor Nut 3/8"
1273	#10 x 3/4" Screw (1)
1274	6" x 2" Perf Screw
1275	#6 Perf Nut
1276	#10 x 3" Flywheel Cover Screw (4)
1278	Wave Washer
1301	Long Monitor Spacer
1302	Short Monitor Spacer
1315	12mm Ball Bearing (2)
1319	Small Flanged Spacer (2)

PN	Description
1324	Spacer (4)
1325	Damper Ring
1330	14mm Drive Spool Spacers (2)
1545	Handle Strap w/buckle (2)
1877	PM3
1878	PM4
2100	Bearing Mount Plate
2101	Bottom Bracket
2103	Frame Connector Plates (2)
2104	Shock Cord Pulley w/Bearing (1)
2105	Upper Frame Cover
2106	Lower Frame Cover
2107	Top Bracket
2110	Upper Box Frame
2111	Lower Box Frame
2120	Small Axle Spacer
2201	#10 SS Washer (2)
2202	1/4 x 5/16 Button Head (28) used to attach cover plates, connect plates, brackets, etc. to upper and lower box frame.
2207	Monitor Pivot Screw 3/8 x 4"
2210	Rubber Grommet
2734	Modified Swivel Pulley Housing (1)
2737	Generator Assembly
2740	Flywheel/Axle Assembly
2741	Traveling Pulley Assembly
2745	Handle (2)
2750	Drive Spool Assembly w/ Clutches and Bearings
2751	Handle Bumper (2)