

Monitor Sensor Removal/Replacement

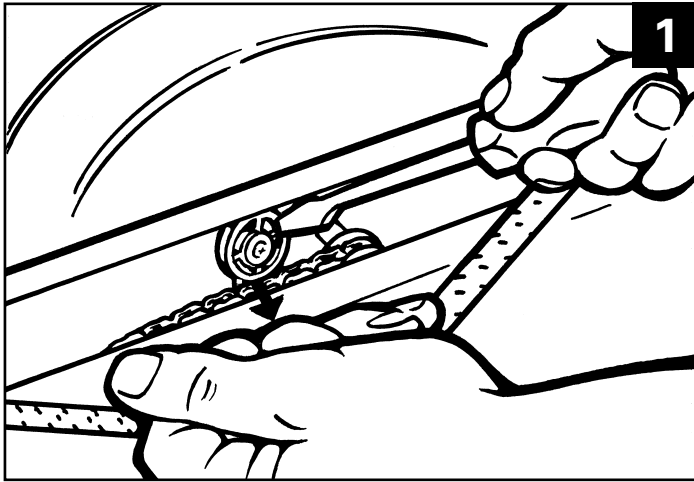
Tools Required:

Screwdriver

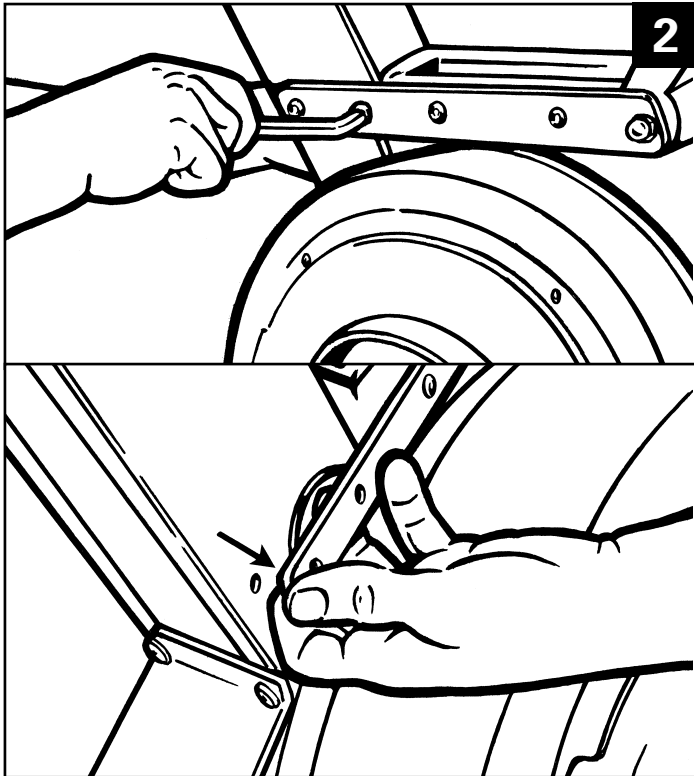
3/16" (4mm) Allen key

1/2" (13mm) spanner

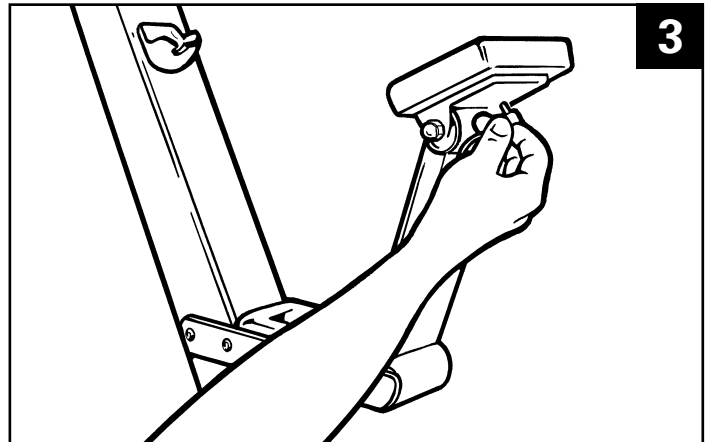
1. Remove sensor cup using screwdriver; lever out central plug from surrounding.



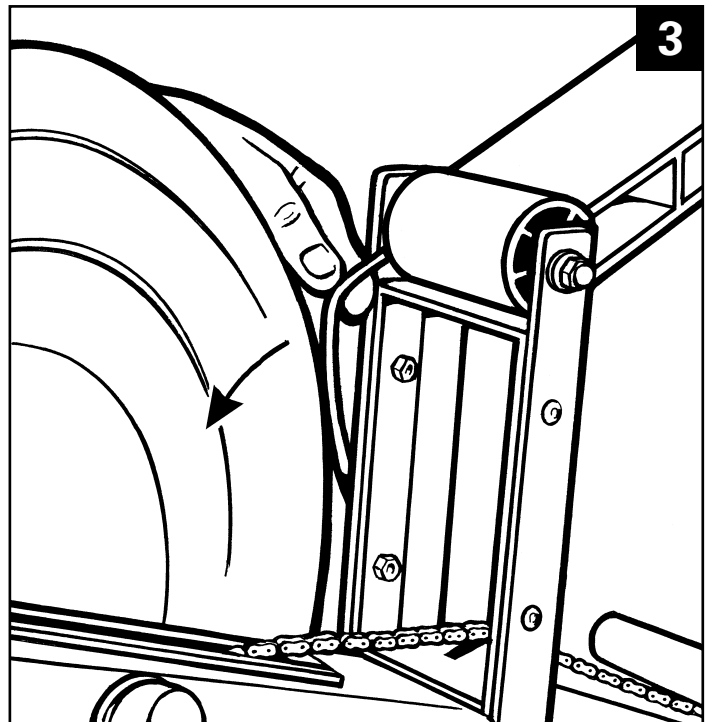
2. Remove bottom two allen key bolts on monitor arm bracket and loosen top two.



3. Unplug cable from monitor.



4. Remove sensor cable from monitor arm routing and pull through hole in box frame.



Reverse procedure to refit referring to routing diagram overleaf. Take care when tightening the bolts so that the monitor arm bracket does not pinch the sensor cable.

Note: the Indoor Rower is built to Imperial measurements, however you may have to use the closest Metric tool available in the UK (shown in brackets)

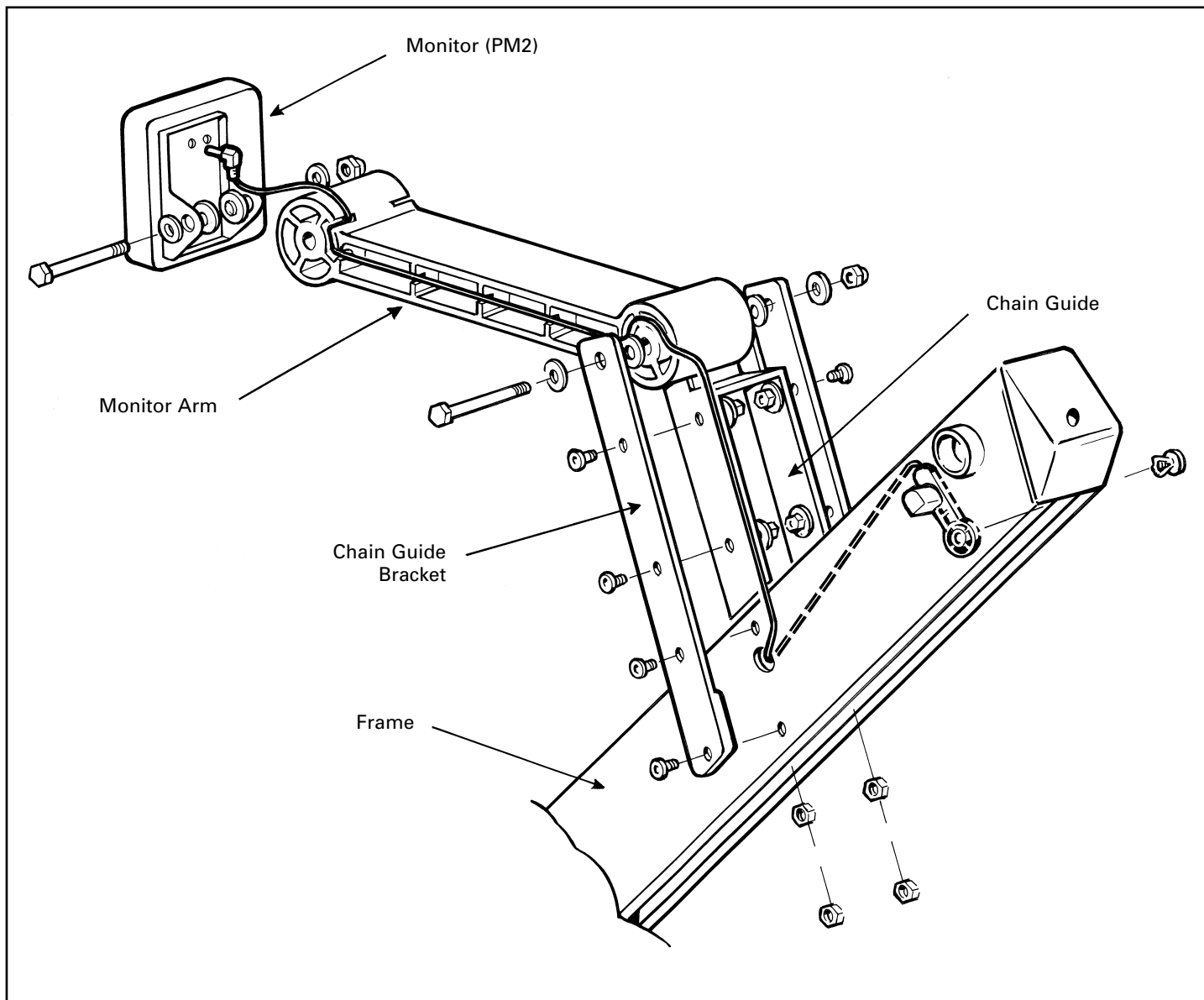
Monitor/Sensor Cable Routing

Tools Required:

Screwdriver

3/16" (4mm) Allen key

1/2" (13mm) spanner



Note: the Indoor Rower is built to Imperial measurements, however you may have to use the closest Metric tool available in the UK (shown in brackets)